



# Carolina Conveying

## Plug Diverters



the power  
in  
powders

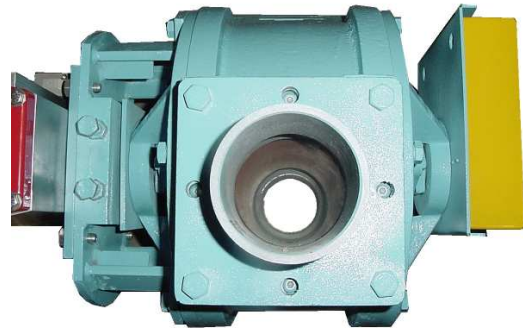
## Plug Type Diverter Valve

The **Plug Diverter** is a heavy-duty diverter valve with a cast body, cast end covers and a cast plug. The divert angle is 0 x 30 degrees. The body and end covers are available in Cast Iron, Cast Stainless Steel or Cast Aluminum. The plug is available in Cast Iron or Cast Stainless Steel. The plug has a single, straight bore that matches the inlet and outlets, providing minimal air loss and product degradation. Product is diverter from leg to another via a pneumatic or electric rotary actuator, which rotates the plug 150 degrees. Adjustable stops allow for accurate positioning of the plug relative to the inlet/outlets.

The **Plug Diverter** is suitable for both dilute and dense phase systems. Since there are no rubber flap seals, the unit is also well suited for abrasive products that a normal diverter valve cannot tolerate.

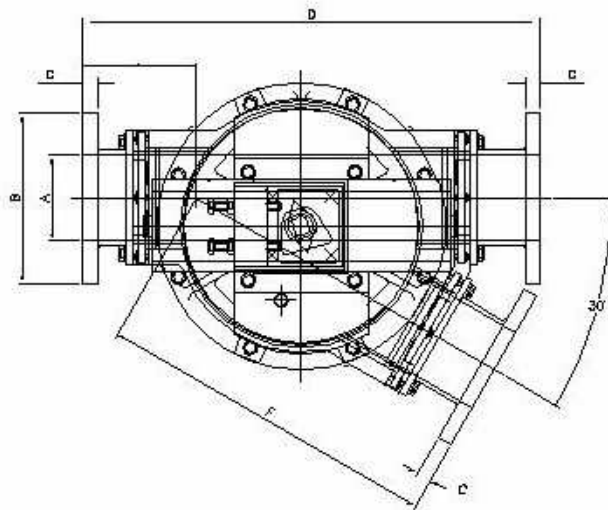
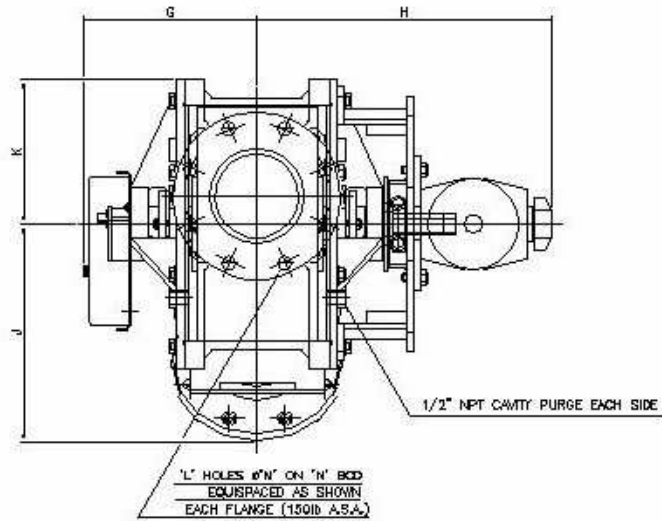
### Standard Features

- Cast Body, End Covers and Plug
- 0 x 30 degree divert angle
- Pneumatic Operation via Rotary Actuator
- Optional Electric Actuator
- Limit Switches
- Outboard Bearings
- Teflon Seals
- Plain spigot ends or flanged ends



Throat Detail

# Dimensions



SIZE	A	B	C	D	E	F	G	H	J	K	L	M	N
2"	2	6	1/2	18 1/2	5 7/8	12 1/8	6 1/2	19 1/4	8	4 3/4	4	3/4	4 3/4
3"	3	7 1/2	7/8	21 3/8	6 3/4	15 1/4	9 5/8	16 7/8	9 3/4	5 1/4	4	3/4	6
4"	4	9	7/8	24 1/4	11 7/8	18 1/8	9 1/8	18 3/4	11 3/8	7 1/4	8	3/4	7 1/2
5"	5	10	7/8	26 3/4	12 3/4	20 3/8	10 1/4	17 1/4	12 1/8	8 1/2	8	7/8	8 1/2
6"	6	11	7/8	28 1/4	13 5/8	21 1/4	11 3/8	18 1/2	13 1/8	9	8	7/8	9 1/4
8"	8	13 1/2	1	34 3/8	16 3/8	26 7/8	12 1/2	19 5/8	17 1/8	11	8	7/8	11 3/4

All dimensions are in inches. Dimensions are subject to change without notice.  
Plain spigot ends are also available.



## Pneumatic Conveying Components

- Drop Thru Airlock



- Conveying Diverters



- Gravity Diverters



- Side Entry Airlocks

