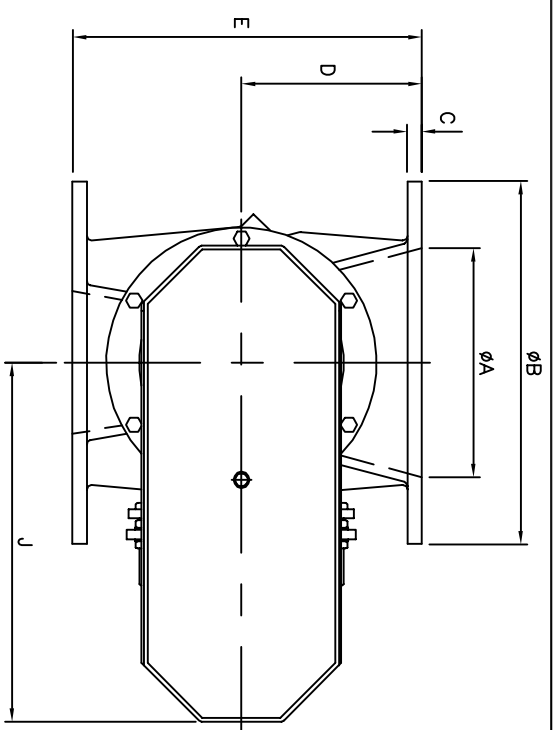


O HOLES ϕP EQUI-
SPACED AS SHOWN ON
Q BCD (1501B ASA)
SAME BOTH FLANGES



SIZE	A	B	C	D	E	F	G	H	J	K	L	M	N	O	P	Q	R	T	V	H.P.
6"	6	11 1/2	1/2	5 1/2	11	8 1/4	8 1/4	11 1/2	16	10 1/4	8 1/4	1 1/4	5 5/8	8	7/8	9 1/2	1/4	3	2 1/4	0.5
8"	8	13 1/2	1/2	6 5/8	12 5/8	7 1/4	9 1/4	12 1/2	16	11 1/4	9 5/8	1 1/4	5 5/8	8	7/8	11 1/2	1/4	3	3 5/8	0.5
10"	10	16	9/16	7 5/8	15	8 5/8	10 3/8	13 5/8	18 5/8	12 5/8	10 5/8	1 1/2	6 5/8	12	1	14 1/4	3/8	3	4	1
12"	12	19	3/4	9 7/8	18 5/8	7 1/4	11 5/8	14 7/8	18 3/8	13 3/8	11 3/4	1 1/2	7 1/8	12	1	17	3/8	3	4 1/8	1
14"	14	21	3/4	10 5/8	20 1/4	7	12	15 1/4	20 1/4	14 5/8	12 3/4	1 1/2	8 1/8	12	1 1/8	18 3/4	3/8	3	5 1/2	1
16"	16	23 1/2	3/4	11 13/16	22 13/16	4 3/4	14 5/8	19	24 5/8	17 13/16	14 5/8	2 1/4	9 1/4	16	1 1/8	21 1/4	5/8	3	6 1/2	1.5
18"	18	25	3/4	12 5/8	24 5/8	3 3/4	15 5/8	20	24 5/8	18 13/16	15 5/8	2 1/4	11 1/4	16	1 1/4	22 3/4	5/8	3	7 5/8	1.5
20"	20	27 1/2	3/4	13 5/8	26 5/8	5 1/4	16 5/8	21	27 1/2	19 5/8	16 5/8	2 1/2	11 5/8	20	1 1/2	25	5/8	4	5 5/8	2
24"	24	32	3/4	15 5/8	29 5/8	3 1/4	18 5/8	22 3/8	27 1/2	21 5/8	18 5/8	2 1/2	13 5/8	20	1 3/8	29 1/2	5/8	4	6 1/8	3



CAROLINA CONVEYING INC
BEAVERDAM INDUSTRIAL PARK
162 GREAT OAK DRIVE, CANTON, NC 28716
Tel : (828) 235-1005 Fax : (828) 235-1006

This drawing is the property of Carolina Conveying and is loaned subject to the condition that it shall not be reproduced, copied, loaned or submitted to others without our consent.

CLIENT	TITLE
STANDARD	ROUND INLET DROP THRU ROTARY AIRLOCKS GENERAL ARRANGEMENT
SCALE N.T.S.	DRAWING No.
DRAWN PCG	DRY-GA-RDTABLE-1
CHECKED	
APPROVED	
03APR07	ISSUE 1

AMENDMENTS