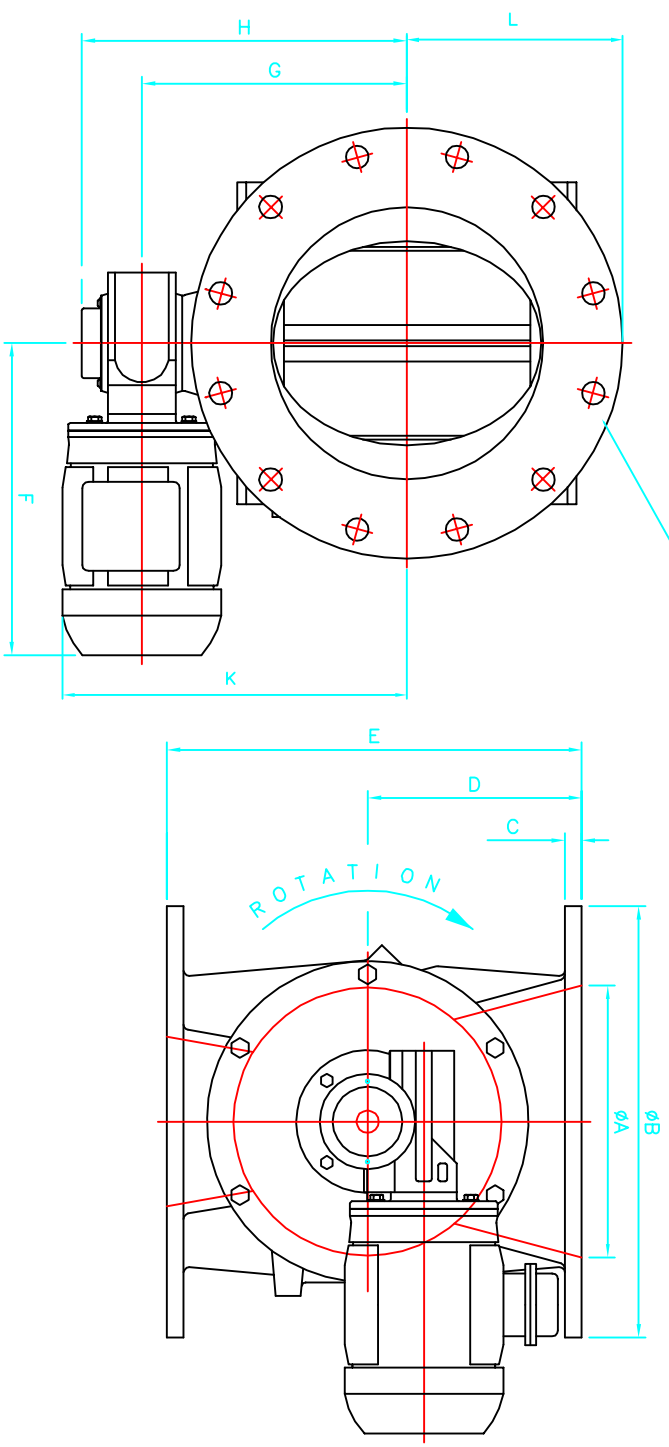




10' HOLES  $\phi$ 1" EQUISPACED AS SHOWN ON 10' BCD (ASA 150lbs)



| SIZE | A  | B      | C   | D     | E      | F  | G      | H      | K      | L     | O  | P   | Q      | H.P. |
|------|----|--------|-----|-------|--------|----|--------|--------|--------|-------|----|-----|--------|------|
| 6"   | 6  | 11 1/4 | 1/2 | 5 1/2 | 10 5/8 | 14 | 8 1/8  | 10     | 11 5/8 | 5 3/4 | 8  | 7/8 | 9 1/2  | 0.5  |
| 8"   | 8  | 13 1/2 | 1/2 | 6 1/4 | 12 1/4 | 14 | 9 1/8  | 11     | 12 5/8 | 6 3/4 | 8  | 7/8 | 11 1/4 | 0.5  |
| 10"  | 10 | 16     | 5/8 | 7 3/8 | 15     | 15 | 10 1/4 | 13     | 13 3/8 | 8     | 12 | 1   | 14 1/4 | 0.75 |
| 12"  | 12 | 19     | 3/4 | 9 1/8 | 18 3/8 | 15 | 11 1/8 | 14 3/8 | 15 1/4 | 9 1/2 | 12 | 1   | 17     | 0.75 |

NOTES:  
 1. DIMENSIONS FOR GENERAL GUIDANCE ONLY  
 2. FOR EXPOSED INLET OR OUTLET, SAFETY GUARDS ARE REQUIRED



CAROLINA CONVEYING INC  
 BEAVERDAM INDUSTRIAL PARK  
 162 GREAT OAK DRIVE, CANTON, NC 28716  
 Tel : (828) 235-1005 Fax : (828) 235-1006

This drawing is the property of Carolina Conveying and is loaned subject to the condition that it shall not be reproduced, copied, loaned or submitted to others without our consent.

| CLIENT       | TITLE   |
|--------------|---|
| STANDARD     | ROUND (ASA) STANDARD DUTY ROTARY AIRLOCKS GENERAL ARRANGEMENT |
| SCALE N.T.S. | DRAWING No.   |
| DRAWN PCG    | SDRV-GA-RDTABLE-1   |
| CHECKED      | ISSUE 1   |
| APPROVED     |   |

AMENDMENTS