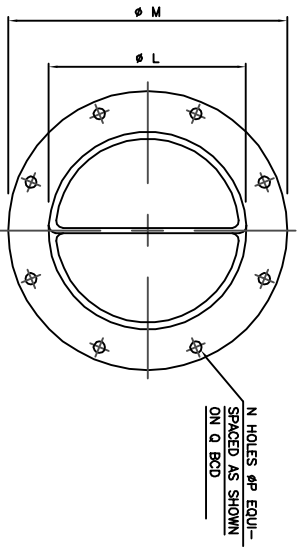


ASA FLANGES
ALSO AVAILABLE

SIZE	A Pipe	B	C	D	E	F	G	H	J	K	L	M	N	P	Q
2	2" N/B	5	5 5/8	9 3/4	3 1/2	3/8	16 7/8	7 3/4	3 1/2	7 5/8	4 3/8	7	4	1/2	5 3/4
3	3" N/B	6 1/8	6 3/4	10 7/8	4	1/2	21 5/8	9 7/8	4 3/8	8 1/2	6 3/8	8 5/8	6	1/2	7 1/2
4	4" N/B	6 5/8	8 1/2	7	4 3/8	1/2	29	12 3/4	5 3/4	10 1/2	8 1/2	11	6	1/2	9 7/8
5	5" N/B	7	9 7/8	6 3/4	4 3/4	3/8	34 1/2	12 3/4	6 3/8	14	9 1/8	12 5/8	8	1/2	11 3/8
6	6" N/B	7 5/8	11 3/8	8 1/2	5 7/8	5/8	38	16 5/8	7	13 1/4	11 1/4	14 1/8	8	3/4	12 3/4

* FOR GENERAL GUIDANCE ONLY, SUBJECT TO CHANGE WITHOUT NOTIFICATION *



CAROLINA CONVEYING INC
 BEAVERDAM INDUSTRIAL PARK
 162 GREAT OAK DRIVE, CANTON, NC 28716
 Tel : (828) 235-1005 Fax : (828) 235-1006

This drawing is the property of Carolina Conveying and is loaned subject to the condition that it shall not be reproduced, copied, loaned or submitted to others without our consent.

CLIENT	SCALE	N.T.S.	TITLE	WEIGH/SCALE VALVE PNEUMATIC OPERATION PLANNING IN DRAWING
DRAWN	CHECKED	APPROVED	DRAWING No.	WV-GA-TABLE-1
PCG			ISSUE	1
20OCT09				

AMENDMENTS